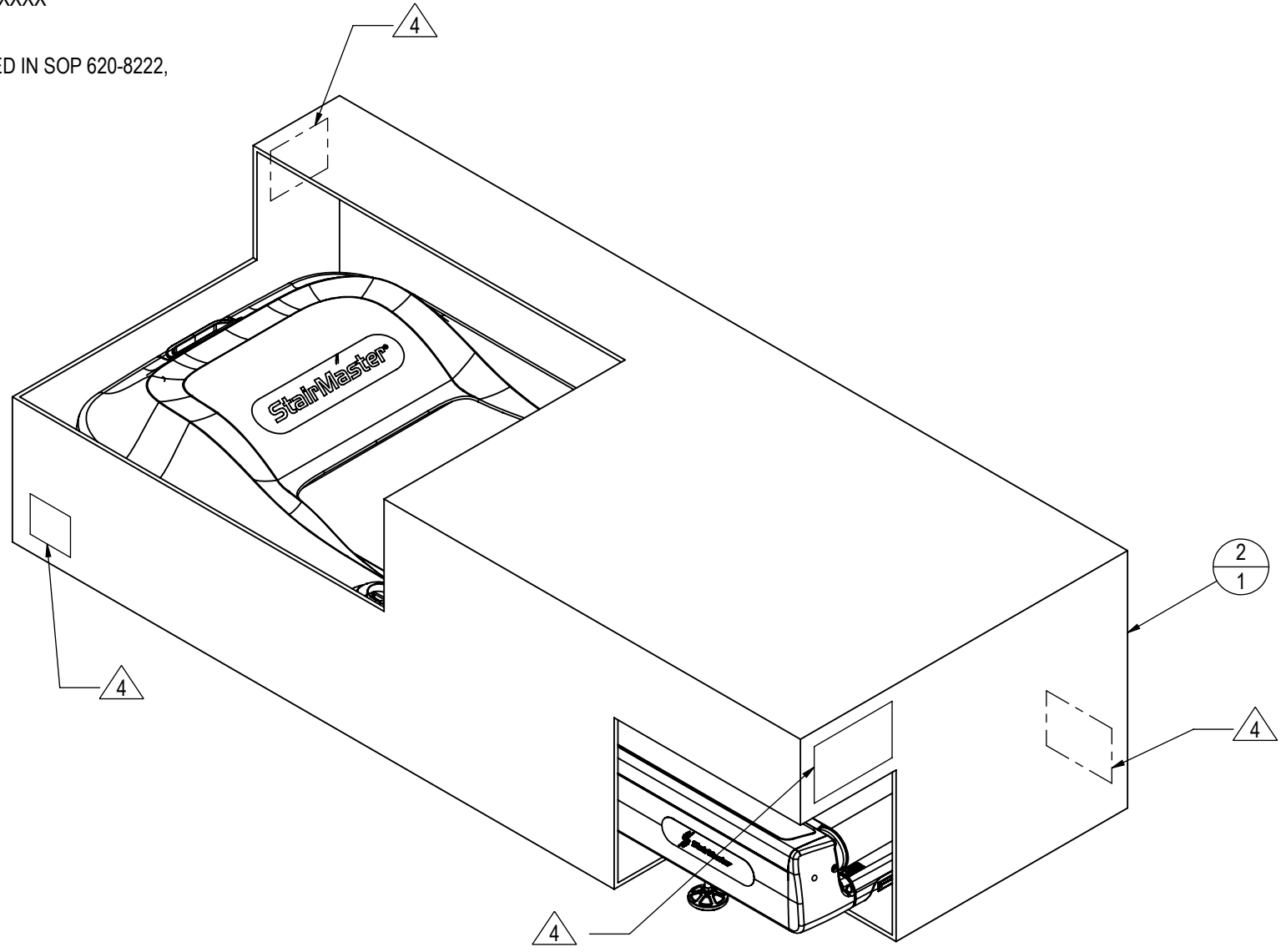


9 8 7 6 5 4 3 2 1

- NOTES:
- BOX SIZE
 - L = 84 in (213 cm)
 - H = 34 in (86 cm)
 - W = 23 in (58 cm)
 - BOX UNIT GROSS WEIGHT: 498 LBS
 - E-TR NET WEIGHT: 468 LBS
 - LABEL INFORMATION (4 PLACES)
 - MODEL: E-TR
 - SKU: 160005
 - SERIAL NUMBER: SKU-DAY-YYWWXXXX
 - DESIGNED IN THE USA
 - ASSEMBLED IN CHINA
 - COLOR DESIGNATOR -XX AS SPECIFIED IN SOP 620-8222, UNLESS OTHERWISE NOTED

REVISION HISTORY				
REV	DATE	DESCRIPTION	ECO	BY
A	8/29/2013	PRODUCTION RELEASE	14308	SS



ITEM NO.	PART NUMBER -XX	DESCRIPTION	QTY.	NOTES
1	050-2199	LABEL, SECONDARY S/N, CARDIO	1	
2	050-2260	PACKAGING, CRATE, E-TR	1	
3	050-2268	LABEL, PRIMARY S/N, CARDIO	1	
4	050-2270	LABEL, STAIRMASTER, 9.763 X 2.314	2	
5	410-0506	SCREW, 1/4-28x3/8, BHC, HK, SS, BO	4	REF
6	410-0651	SCREW, 5/16-18 X 1-3/4, SHCS	4	REF
7	410-3026	SCREW, 10-24X.50" PPHTCS	4	REF
8	410-3416	SCREW, 5/16-18 X 1, SHC, HE, AS	42	REF
9	420-0490	WASHER, 5/16 FLAT, 1/2" OD, .06 THICK	46	REF
10	420-0496	WASHER, LOCK 5/16 MIN OD	46	REF
11	130-1810	BELT, RUN, 21.5"W X 128.5" LONG, SM E-TR	1	
12	220-0278	LINE CORD, 110V, NEMA 5-20 PLUG	1	
13	620-8224	MANUAL, OWNERS, SM E-TR	1	
14	717-0354	BEZEL, HANDRAIL, SM, TG	2	REF
15	740-8218	DOC, WARRANTY, COMMERCIAL, STAIRMASTER	1	
16	740-8221	GROMMET, FRONT RAIL, S-TR	1	
17	740-8427	ASSY, ELECTRONICS, E-TR, 110v	1	
18	740-8428-XX	-31 ASSY, BASE FRAME, E-TR	1	
19	740-8444-XX	-31 ASSY, NECK W/ CABLES, ET-R	1	
20	740-8546	COVER, MOTOR, SM E-TR	1	
21	740-8547	ASSY, DISPLAY W/WELDMENT, SM E-TR	1	
22	740-8555	SEAL, HAND RAIL, SM ETR	2	
23	740-8556	WELDMENT, DIRE RAIL, SM E-TR	12	
24	740-8560	KIT, HARDWARE, SM E-TR	1	

DOCUMENT STATUS:

NOTICE OF PROPRIETARY INFORMATION
 THIS DOCUMENT SHALL NOT BE REPRODUCED NOR SHALL THE INFORMATION CONTAINED HEREIN BE USED BY OR DISCLOSED TO OTHER EXCEPT AS EXPRESSLY AUTHORIZED BY CORE HEALTH & FITNESS, LLC.

MATERIAL N/A	THIRD ANGLE PROJECTION 		CORE HEALTH & FITNESS, LLC 4400 NE 77th Ave., Suite 300 Vancouver, WA 98662		
FINISH SEE BOM	DRAWN SS	DATE 8/29/13	CORE PART NO 160005	REV A	TITLE ASSY, TREADMILL, SM E-TR 110V
VENDOR:	P/N:	U.O.M. MM	SCALE: 1:12	SHEET 1 OF 2	SHEET SIZE: B

9 8 7 6 5 4 3 2 1

NOTES:

6. PRIMARY SERIAL LABEL INFORMATION

- A. SKU: 160005
- B. SERIAL NUMBER: SKU-DAY-YYWWXXXX
- C. MFG DATE: MM/YYYY
- D. PHASE: SINGLE
- E. CYCLES: 50/60
- F. WATTS: 1650
- G. VOLT/AMPS: 110/18
- H. TYPE: IPX0
- I. CERTIFICATIONS: CSA/FCC

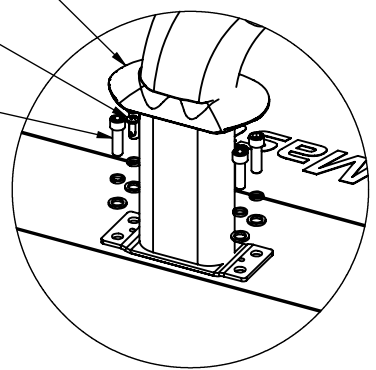
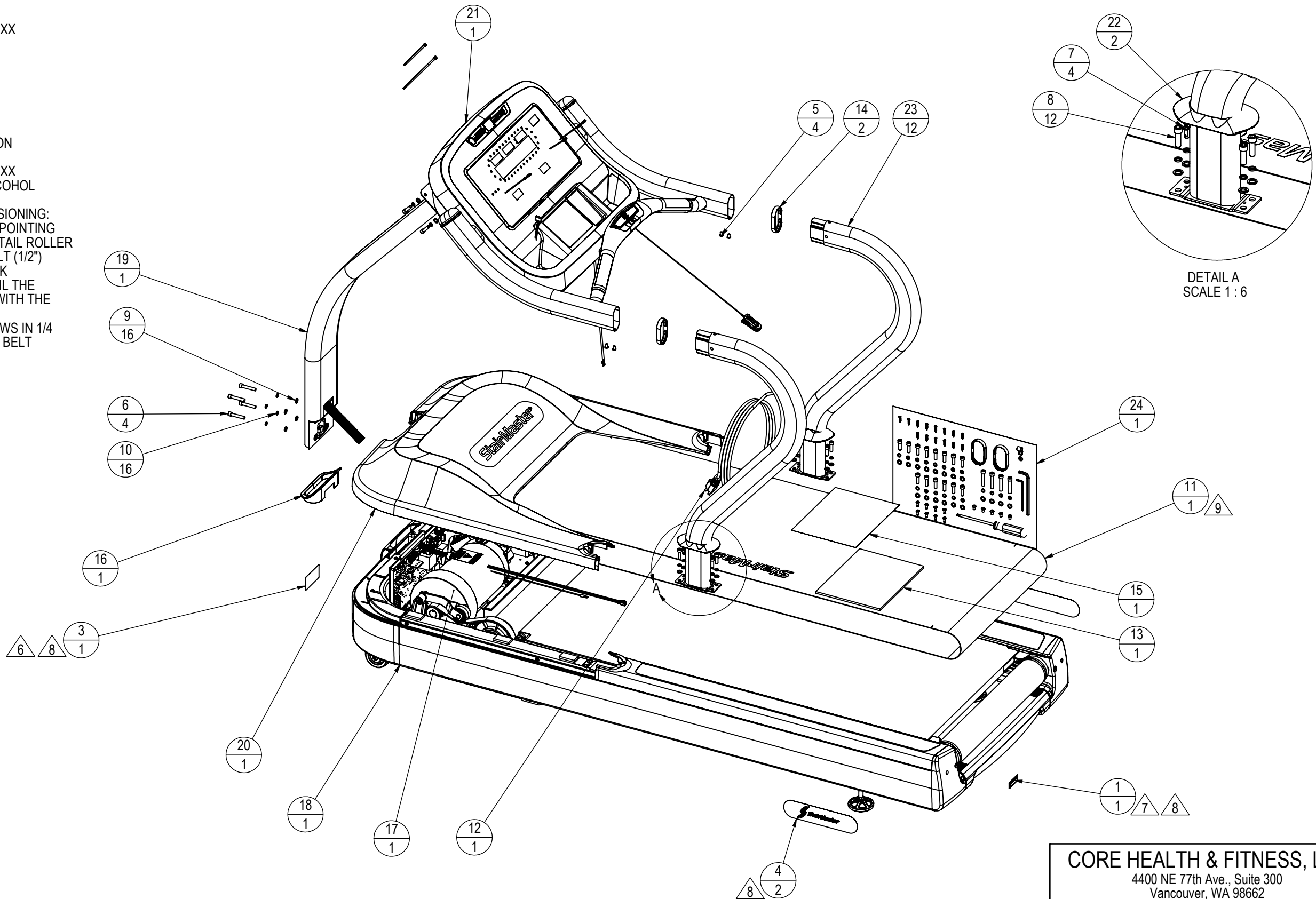
7. SECONDARY SERIAL LABEL INFORMATION

- A. SKU: 160005
- B. SERIAL NUMBER: SKU-DAY-YYWWXXXX

8. CLEAN SURFACE WITH DENATURED ALCOHOL PRIOR TO ADHERING LABEL

9. RUNNING BELT INSTALLATION AND TENSIONING:

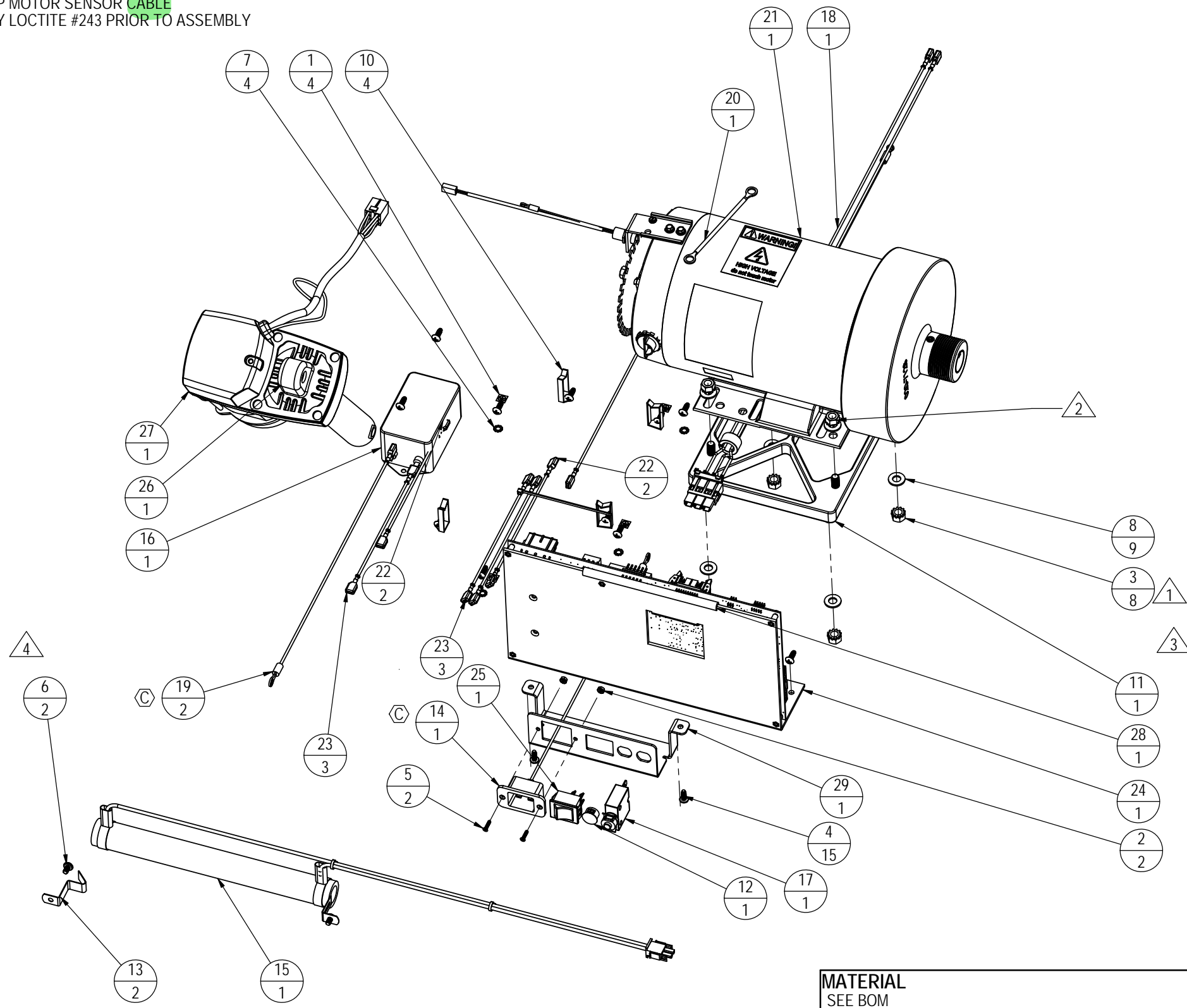
- A. BELT ROTATION IS DETERMINED BY POINTING THE LOGO ARROWS TOWARDS THE TAIL ROLLER
- B. ALIGN THE SHORT MARK OF THE BELT (1/2") WITH THE FRONT EDGE OF THE DECK
- C. TIGHTEN THE ROLLER SCREWS UNTIL THE OTHER SET OF BELT MARKS ALIGN WITH THE BACK EDGE OF DECK
- D. IF NECESSARY, TURN ROLLER SCREWS IN 1/4 TURN INCREMENTS TO CENTER THE BELT



CORE HEALTH & FITNESS, LLC		
4400 NE 77th Ave., Suite 300 Vancouver, WA 98662		
CORE PART NO	160005	REV A
TITLE ASSY, TREADMILL, SM E-TR 110V		
SCALE: 1:12	SHEET 2 OF 2	SHEET SIZE: B

- NOTES:
 1. TORQUE TO: 65-70 IN-LBS
 2. TORQUE TO: 70-75 IN-LBS
 3. TIE UP MOTOR SENSOR **CABLE**
 4. APPLY LOCTITE #243 PRIOR TO ASSEMBLY

REVISION HISTORY				
REV	DATE	DESCRIPTION	ECO	BY
A	2/11/2013	PRODUCTION RELEASE	14099	SS
B	12/19/2018	ADD 1X 410-0957, 2X 170-0718, 2X 110-3743, 1X 140-0210	16050	BA
C	9/25/2019	ADDED: 240-6929 (1); CHG QTY: 715-3457 (IS 2, WAS 3); REMOVED: 740-6083	16223	ZDH



ITEM NO.	PART NUMBER	DESCRIPTION	QTY.
1	050-0411	LABEL, GROUND	4
2	110-1720	NUT, KEP, #4-40, CS, ZPB	2
3	110-1870	NUT, 5/16-18 KEPS	8
4	110-3026	SCREW, #10-24, 1/2", PHTC, PH, CS, ZP	15
5	110-3437	SCREW, #4-40, 1/2", FHM, PH, CS, ZPB	2
6	110-3743	SCREW, M5x0.8, 8mm, PHM, PH, SS	2
7	120-0220	WASHER, #10, EXT TOOTH LOCK, CS, ZP	4
8	120-3023	WASHER, 5/16 ID, .688 OD	9
9	140-0210	TIE STRAP, 3.5"	1
10	140-3232	CLAMP, WIRE, SADDLE, 1.0"	4
11	140-3392	SPACER BLOCK, MOTOR, TREAD	1
12	140-3451	PLUG, BRACKET, SWITCH/BREAKER, E-TR/E-TRX	1
13	170-0718	CLIP, RESISTOR, OHMITE, 18E	2
14	240-6929	CONNECTOR, IEC, 110V, 20A, W/ GND CABLE	1
15	410-0957	ASSY, RESISTOR, 100OHM, 225W	1
16	440-0257	FILTER, EMI, 250V, 16A	1
17	470-0417	BREAKER, THERMAL, 18A	1
18	715-3412	ASSY, CABLE , AC TO MCB	1
19	715-3457	ASSY CABLE , GROUND WIRE, MCB/CONSOLE	2
20	715-3611	ASSY., BLEEDER, AC MOTOR, PRO TR	1
21	715-3681	ASSY, MOTOR, AC INDUCTION, 115V, OX TR	1
22	715-3801	ASSY, CABLE , NEUTRAL WIRE, E-TR/x	2
23	715-3802	ASSY, CABLE , LINE WIRE, E-TR/x	3
24	715-3881	ASSY, MCB, 110V AC, ACK1U	1
25	740-6116	SWITCH, ON/OFF, TR	1
26	740-8119	CAP, MOUNT, ACTUATOR, S-TR	1
27	740-8415	MOTOR GEAR, 110VAC, ELEVATION, E-TR	1
28	740-8416	EXTRUDED, RUBBER, MCB, GUARD	1
29	740-8417	BRACKET, COMPONENTS, 110V ELEC., E-TR	1

DOCUMENT STATUS:

NOTICE OF PROPRIETARY INFORMATION
 THIS DOCUMENT SHALL NOT BE REPRODUCED NOR SHALL THE INFORMATION CONTAINED HEREIN BE USED BY OR DISCLOSED TO OTHER EXCEPT AS EXPRESSLY AUTHORIZED BY CORE HEALTH & FITNESS, LLC.

MATERIAL SEE BOM		THIRD ANGLE PROJECTION 		CORE HEALTH & FITNESS, LLC 4400 NE 77th Ave., Suite 300 Vancouver, WA 98662	
FINISH SEE BOM		DRAWN	INITIAL SS	DATE 2/21/2013	CORE PART NO 740-8427
VENDOR:		P/N:		U.O.M.	MM
				SCALE: 1:5	SHEET 1 OF 1
				SHEET SIZE: B	

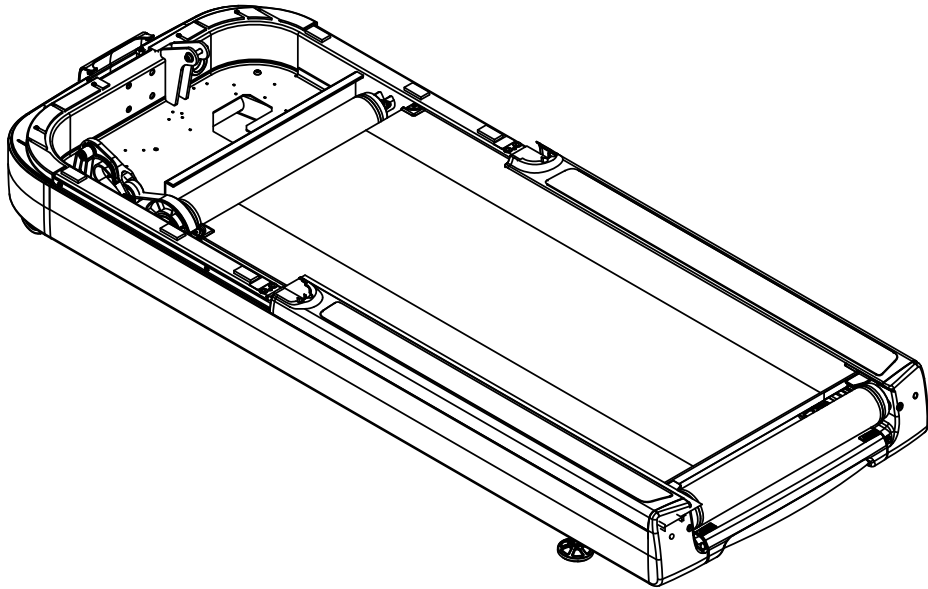
CORE HEALTH & FITNESS, LLC
 4400 NE 77th Ave., Suite 300
 Vancouver, WA 98662

CORE PART NO **740-8427** REV **C**

TITLE **ASSY, ELECTRONICS, E-TR, 110v**

SCALE: 1:5 SHEET 1 OF 1 SHEET SIZE: B

9	8	7	6	5	4	3	2	1					
J I H G F E D C B A	ITEM NO.	PART NUMBER	DESCRIPTION	QTY.	ITEM NO.	PART NUMBER	DESCRIPTION	QTY.	REVISION HISTORY				
	1	010-3156	EXT, RUBBER, CUSHION	2	30	715-3635	ASSY, ROLLER, TAIL, FLAT, 88 MM X 592 MM	1	REV	DATE	DESCRIPTION	ECO	BY
	2	020-7228	ROD, W/ OVERMOLD, DECK RETENTION	4	31	715-3689	ASSY, DECK, 25.75 X 53.75, E-TRx	1	A	9/5/2013	PRODUCTION RELEASE	14308	SS
	3	020-7271	SHIELD, DUST, TR	1	32	715-4056	ASSY, TENSION,BELT,DRIVE,TREADMILL	1	B	12/16/2015	CHG QTY: 120-3310 WAS: 4, IS: 2 REMOVED: 130-1756 (1), 715-3904 (1). ADDED: 715-4056 (1), 120-3378 (1).	15187	VG
	ⓓ 4	110-4070	SCREW, SHOULDER, 3/8" X 2", SHS, HK, AS, BO	1	33	731-0357	WASHER,PLAIN,M12	4	C	1/25/2017	IS: 731-0169 (4) WAS: 731-0359 (4), IS:740-9217 (1) WAS: 740-8065 (1), IS:740-9224 (2) WAS: 740-8426 (2), ADD:110-3295 (2)	15645	AW
	5	050-1888	LABEL, PATENT NUMBERS, PRO TR	1	34	731-0358	SCREW, M12 X 1.75, 75mm, BHC, HK	2	D	6/7/2018	IS: 110-4070(1) WAS: 020-7374 (1) ADD: 120-0460 (1), 120-3445 (1), 110-1871 (1) REMOVE: 120-3310 (2), 140-3415(1)	15978	AW
	6	050-2115	LABEL, COUNTRY OF ORIGIN	1	35	731-0169	SCREW,M8x1.25,20mm,BHC,HK,AS,NKL,Grd-12.9	4					
	7	050-2159	LABEL, CAUTION, PINCH POINTS, TR	2	36	740-9217	ASSY, FRAME, ELEVATION, 8-TR	1					
	8	050-2166	LABEL, DECK DIS-ASSEMBLY NOTE	2	37	740-8094	TUBE, BEARING, ELEVATION, S-TR	2					
	9	110-0651	SCREW, 5/16-18, 1-3/4, SHC, HK, AS, ECB	1	38	740-8155-XX	LEFT, COVER, SIDERAIL, S-TR	1					
	10	110-0709	BOLT, SHOULDER, 3/8 X 1-1/4"	1	39	740-8156-XX	RIGHT, COVER, SIDERAIL, S-TR	1					
	11	110-1823	NUT, THIN, JAM,1/2-13 x 5/16 THICK, BZ, GR-5	2	40	740-8159-XX	PLASTIC, TRIM, FRONT, SHROUD, MOTOR, S-TR	1					
	ⓓ 12	110-1871	NUT, 5/16-18, CS, ECB, NY, Gr 8.8	3	41	740-8199	FOAM,SIDE,RAIL,COVER	2					
	13	110-3026	SCREW, #10-24, 1/2", PHTC, PH, CS, ZP	34	42	740-8212	CUSION,ELEVATION,FRAME,STR	2					
	14	110-3085	BOLT,3/8 X 1.5L, SHOULDER	1	43	740-8394-XX	ASSY, WELDMENT, FRAME, MAIN, E-TR	1					
	15	110-3126	SCREW, 5/16-18x3.0, FULL THD, SHC, HE, CS, ZI, G2	2	44	740-8410-XX	SIDE, COVER, E-TR	2					
	ⓓ 16	120-0460	WASHER, 3/8, SAE FLAT	2	45	740-8411-XX	NOSE, FRONT, E-TR	1					
	17	120-0490	WASHER, 5/16 SAE FLAT, 11/16" OD X 11/32" ID, .06 THICK	3	46	740-8412-XX	CAP, END, PLASTIC, REAR, LEFT, E-TR	1					
	18	120-0496	WASHER, LOCK, SPLIT, 0.58 OD, 0.32 ID, 0.078 THK, CS, ZP	3	47	740-8413-XX	CAP, PLASTIC, CROSSMEMBER, REAR, E-TR	1					
	19	120-3023	WASHER, 5/16 ID, .688 OD	1	48	740-8414-XX	CAP, END, PLASTIC, REAR, RIGHT, E-TR	1					
	20	120-3378	Washer, Hat, Ø9.6mmX Ø6.5mmX 5mm, CS, NKL	1	49	740-8420	CONDUCTIVE TAPE, BOTTOM, NECK	1					
	21	130-0121	BELT, 280J10, POLY VEE	1	50	740-8421	ASSY, ROLLER, HEAD, FLAT, 88.9 MM X 546 MM	1					
	22	140-3115	ADHESIVE, CUSHION DECK	2	51	740-8422	ISOLATOR, RUBBER, BLACK, FRAME, WIRING	1					
	23	140-3323	U-NUT, #8, PANEL .025-.125	2	52	740-8423	DECK,STOP,RIGHT,REAR,E-TR	1					
	24	140-3408	RIVET NUT, 5/16-18, PANEL THK., .027-.150 IN.	12	53	740-8424	DECK, STOP, LEFT, REAR, E-TR	1					
	25	140-3416	FOAM, PAD, BLK, 1.5X.65, ADHESIVE BACKED	2	54	740-9224	MOUNT,CUSHION,ELEVATION,FRAME,8-TR	2					
	26	140-3419	SPRING, EXT,1.2 OD X 2.5 L	1	55	740-8430	CONDUCTIVE TAPE, ARM	2					
	27	140-3485	W/ 1/2-13 STUD, FOOT, PIVOT, 15°, 77mm OD	2	56	110-3417	Screw, 10-24, 2.50", SHC, HK, AS, BO, ASTM A574	8					
	28	140-3487	FOAM, TAPE,STR	16	57	110-3295	NUT, M12, ISO7040, NYLON	2					
29	140-3488	FOAM,SEAL,MOTOR,PAN,STR	1	ⓓ 58	120-3445	WASHER, STEP, Ø10mm, Ø8mm, CS, NKL	1						

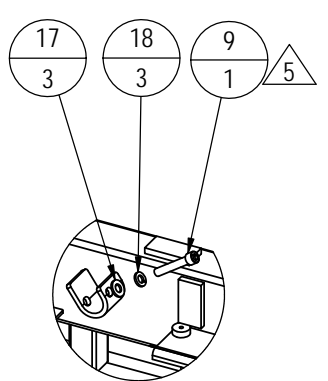
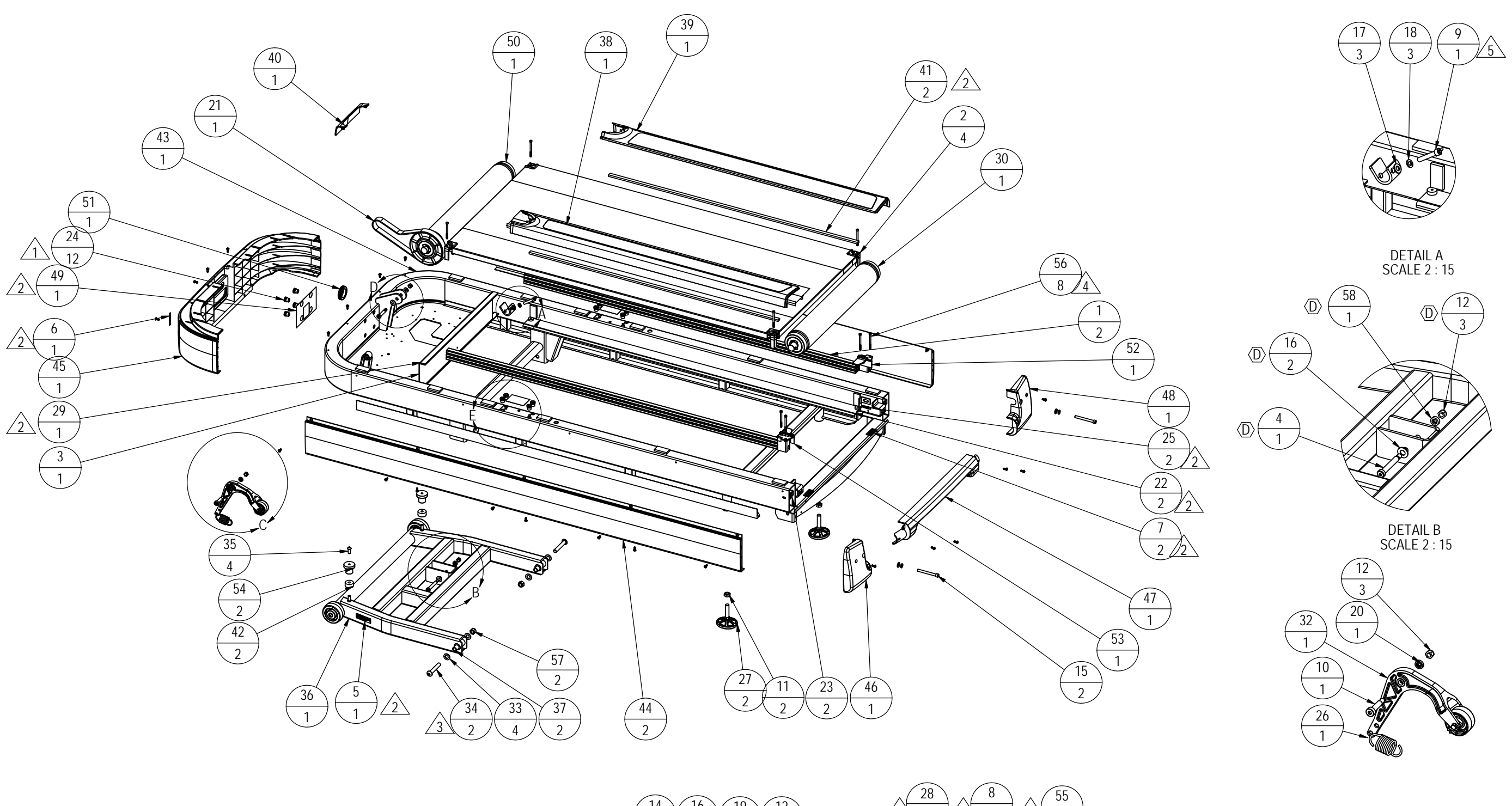


NOTES:
1. COLOR DESIGNATOR PER -XX AS SPECIFIED IN SOP 620-8222

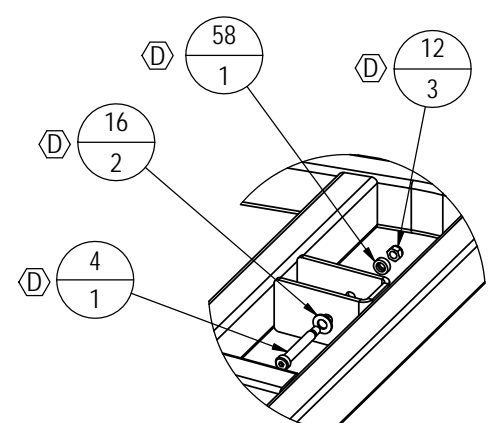
DOCUMENT STATUS:

NOTICE OF PROPRIETARY INFORMATION
THIS DOCUMENT SHALL NOT BE REPRODUCED NOR SHALL THE INFORMATION CONTAINED HEREIN BE USED BY OR DISCLOSED TO OTHER EXCEPT AS EXPRESSLY AUTHORIZED BY CORE HEALTH & FITNESS, LLC.

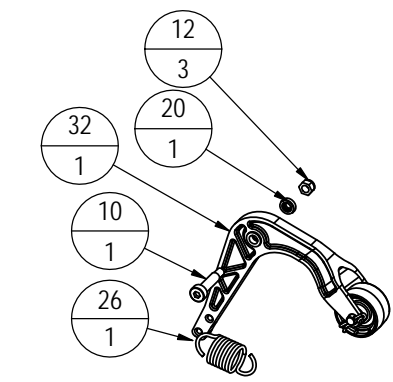
MATERIAL SEE BOM	THIRD ANGLE PROJECTION			CORE HEALTH & FITNESS, LLC 4400 NE 77th Ave., Suite 300 Vancouver, WA 98662		
				CORE PART NO	REV	
FINISH N/A	DRAWN	SS	DATE	740-8428-XX		D
	CHECKED			TITLE		
	APPROVED			ASSY, BASE FRAME, E-TR		
VENDOR: N/A	P/N: N/A		U.O.M.	MM	SCALE: 1:16	SHEET 1 OF 2
					SHEET SIZE: B	



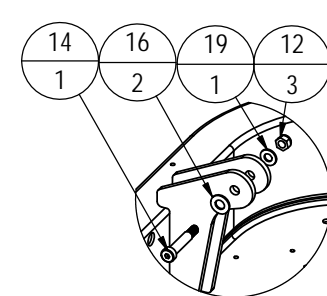
DETAIL A
SCALE 2 : 15



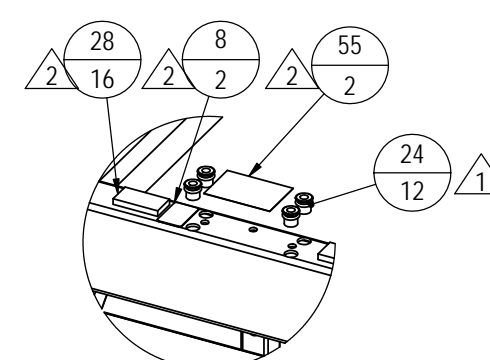
DETAIL B
SCALE 2 : 15



DETAIL C
SCALE 2 : 15



DETAIL D
SCALE 2 : 15



DETAIL E
SCALE 2 : 15

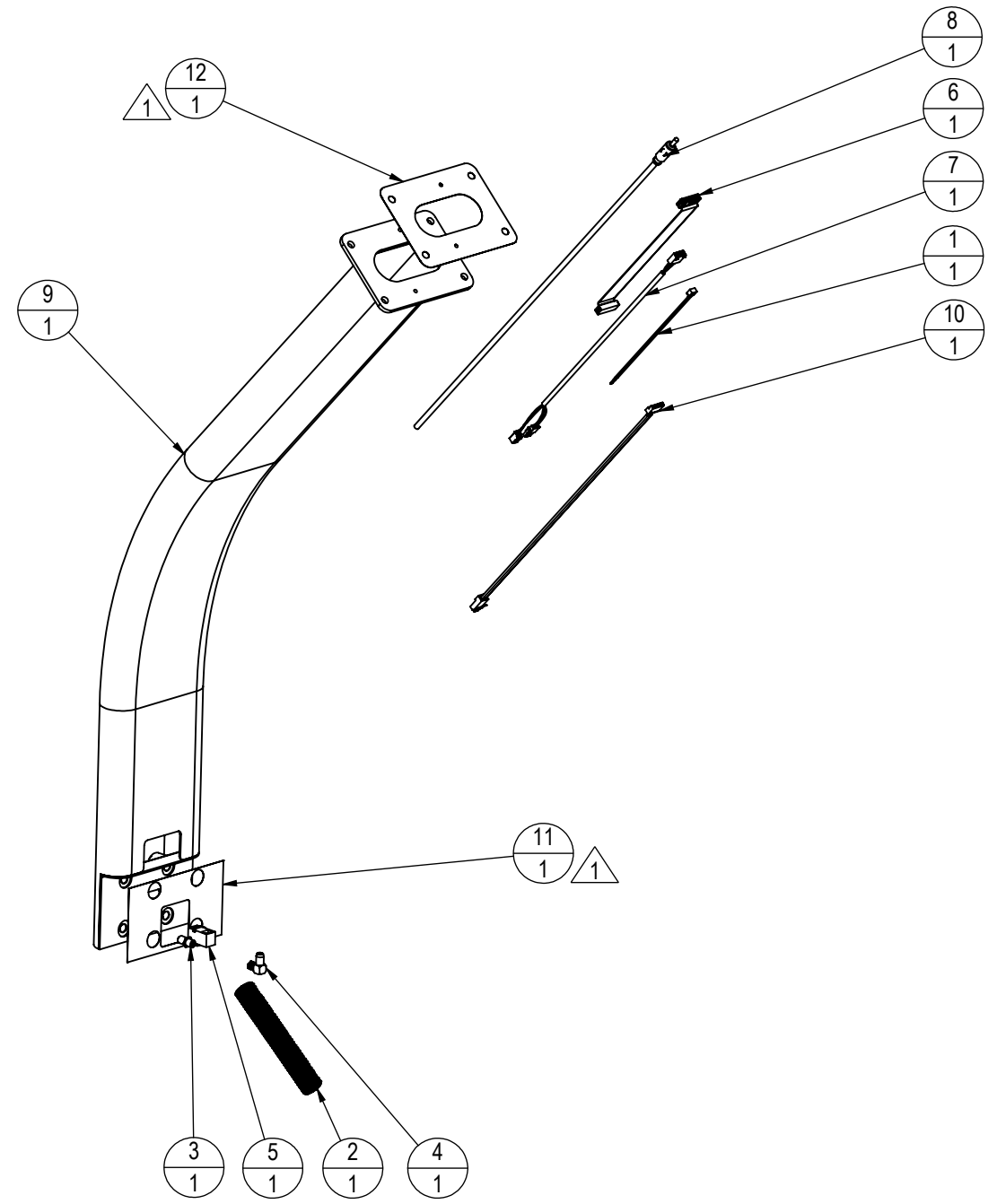
- NOTES
1. INSTALLATION LOAD FOR RIVNUTS: USE MFG SPECS FOR PROPER CLINCH FORCE
 2. CLEAN AREA WITH ISOPROPYL ALCOHOL BEFORE APPLYING RUBBER, STICKERS, OR ADHESIVE
 3. TORQUE TO: 35 - 40FT-LBS (420 - 480in-LBS)/(47.5 - 54.2N-m)
 4. TORQUE TO: 25 - 30in-LBS (2.8 - 3.4N-m)
 5. TORQUE TO: 14.75 ft-LBS (20N-m)

CORE HEALTH & FITNESS, LLC		
4400 NE 77th Ave., Suite 300 Vancouver, WA 98662		
CORE PART NO	740-8428-XX	REV D
TITLE ASSY, BASE FRAME, E-TR		
SCALE: 1:15	SHEET 2 OF 2	SHEET SIZE: B

9 8 7 6 5 4 3 2 1

NOTES:
 1. CLEAN SURFACE WITH DENATURED ALCOHOL PRIOR TO ADHERING
 2. COLOR DESIGNATOR PER -XX AS SPECIFIED IN SOP 620-8222

REVISION HISTORY				
REV	DATE	DESCRIPTION	ECO	BY
A	9/5/2013	PRODUCTION RELEASE	14308	SS



ITEM NO.	PART NUMBER	DESCRIPTION	QTY.
1	140-3128	TIE STRAP, 8"	1
2	140-3470	TUBE, CONVOLUTED, WIRE MGMT, .75ID	1
3	240-6905	F/F "F TYPE" COUPLER	1
4	240-6914	ADAPTOR, F TYPE RT ANGLE, M/F	1
5	240-6918	CONNECTOR, 8-PIN, 90-DEG	1
6	715-3600	ASSY, CABLE, MAIN INTERFACE, AC	1
7	715-3678	HARNESS, DC SUPPLY, PRO TR	1
8	718-5126	CABLE, COAX, M-M, ST/TBT	1
9	740-8092-XX	WELDMENT, NECK, DISPLAY, S-TR/E-TR	1
10	740-8388	CABLE, C-SAFE, S-RERIES	1
11	740-8420	CONDUCTIVE TAPE, BOTTOM, NECK	1
12	740-8429	CONDUCTIVE TAPE, TOP, NECK	1

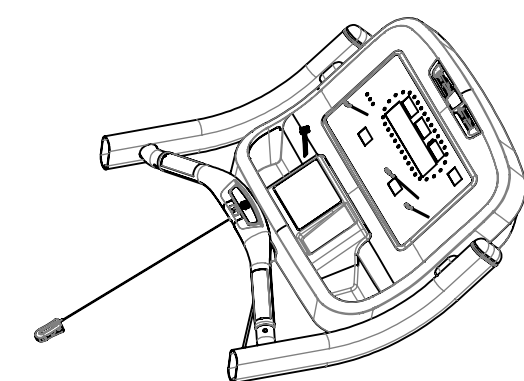
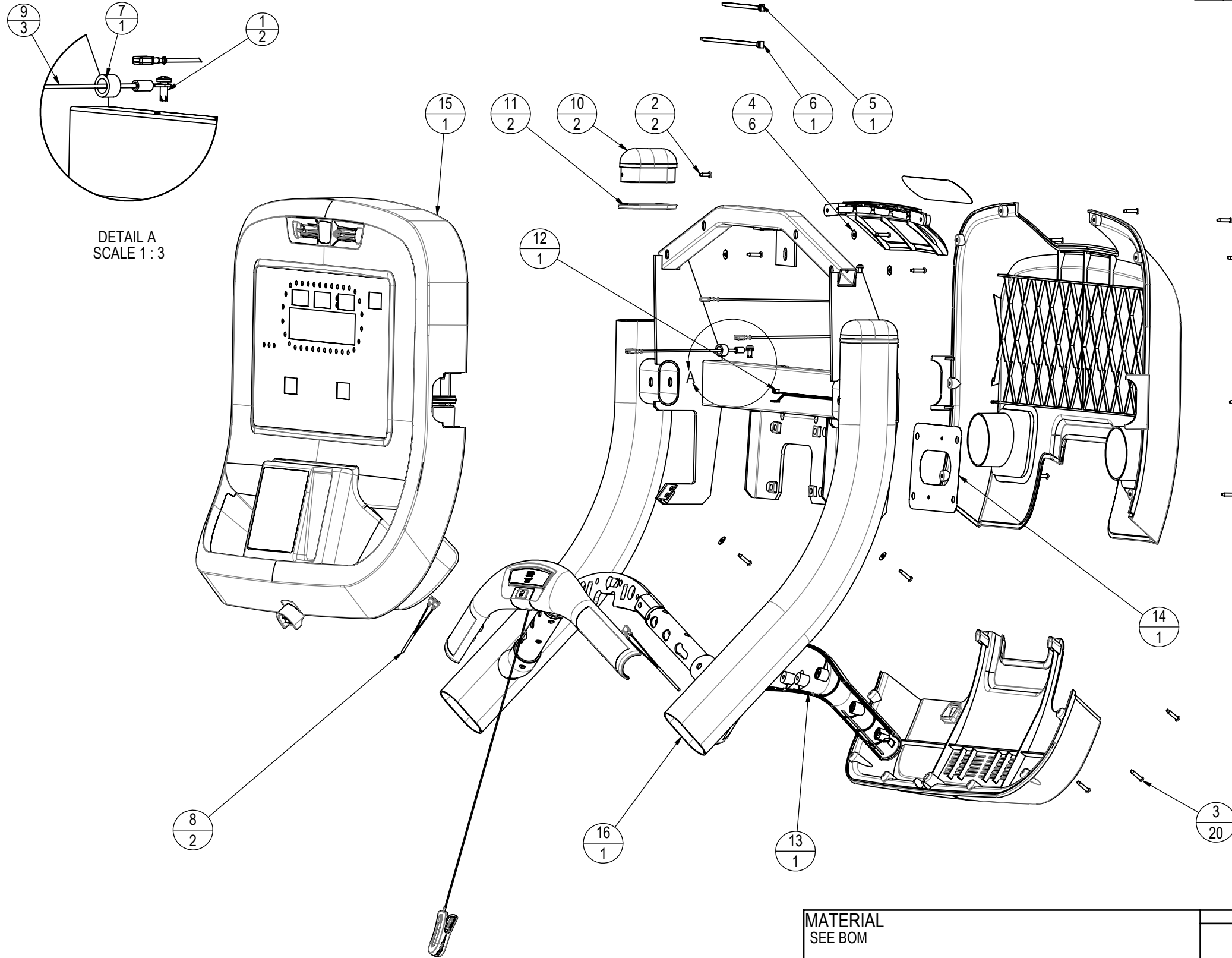
DOCUMENT STATUS:

NOTICE OF PROPRIETARY INFORMATION
 THIS DOCUMENT SHALL NOT BE REPRODUCED NOR SHALL THE INFORMATION CONTAINED HEREIN BE USED BY OR DISCLOSED TO OTHER EXCEPT AS EXPRESSLY AUTHORIZED BY CORE HEALTH & FITNESS, LLC.

MATERIAL SEE BOM	THIRD ANGLE PROJECTION			CORE HEALTH & FITNESS, LLC 4400 NE 77th Ave., Suite 300 Vancouver, WA 98662		
FINISH SEE BOM	DRAWN	INITIAL	DATE	CORE PART NO	REV	
	CHECKED			740-8444-XX	A	
VENDOR: N/A	P/N: N/A	U.O.M.	MM	TITLE ASSY, NECK W/ CABLES, ET-R		
		SCALE: 1:8	SHEET 1 OF 1	SHEET SIZE: B		

9 8 7 6 5 4 3 2 1

REVISION HISTORY				
REV	DATE	DESCRIPTION	ECO	BY
A	8/16/2013	PRODUCTION RELEASE	14308	SS



ITEM NO.	PART NUMBER	DESCRIPTION	QTY.
1	110-3026	SCREW, 10-24X.50" PPHTCS	2
2	110-3165	SCREW, M4x0.7x14L,PHT,PH,CS,ZI	2
3	110-3402	SCREW, M4x0.7x19L,PHT,PH,CS,BZ	20
4	120-3307	WASHER, M4, 4.3mm I.D. X 12mm O.D., ISO 7089	6
5	140-0200	TIE STRAP, 5"	1
6	140-3128	TIE STRAP, 8"	1
7	440-0281	FERRITE, ESPINNER, SNAP ON, 36.2 x 17.3 x 16.8	1
8	715-3425	ASSY, CABLE, SPLITTER HR GRIP	2
9	715-3457	ASSY CABLE, GROUND WIRE, MCB/CONSOLE	3
10	717-0351	ENDCAP, HORN, DISPLAY, SM, TC	2
11	717-0360	BEZEL, HORN, END, SM, TC	2
12	740-6012	ASSY, CABLE, STOP SWITCH EXTENSION	1
13	740-6186	WARM BAR, MECH. ASSY, S-TR/E-TR	1
14	740-8429	CONDUCTIVE TAPE, TOP, NECK	1
15	740-8548	ASSY, DISP & HOUSING, SM E-TR	1
16	740-8549	WELDMENT, DISPLAY, SM E-TR	1

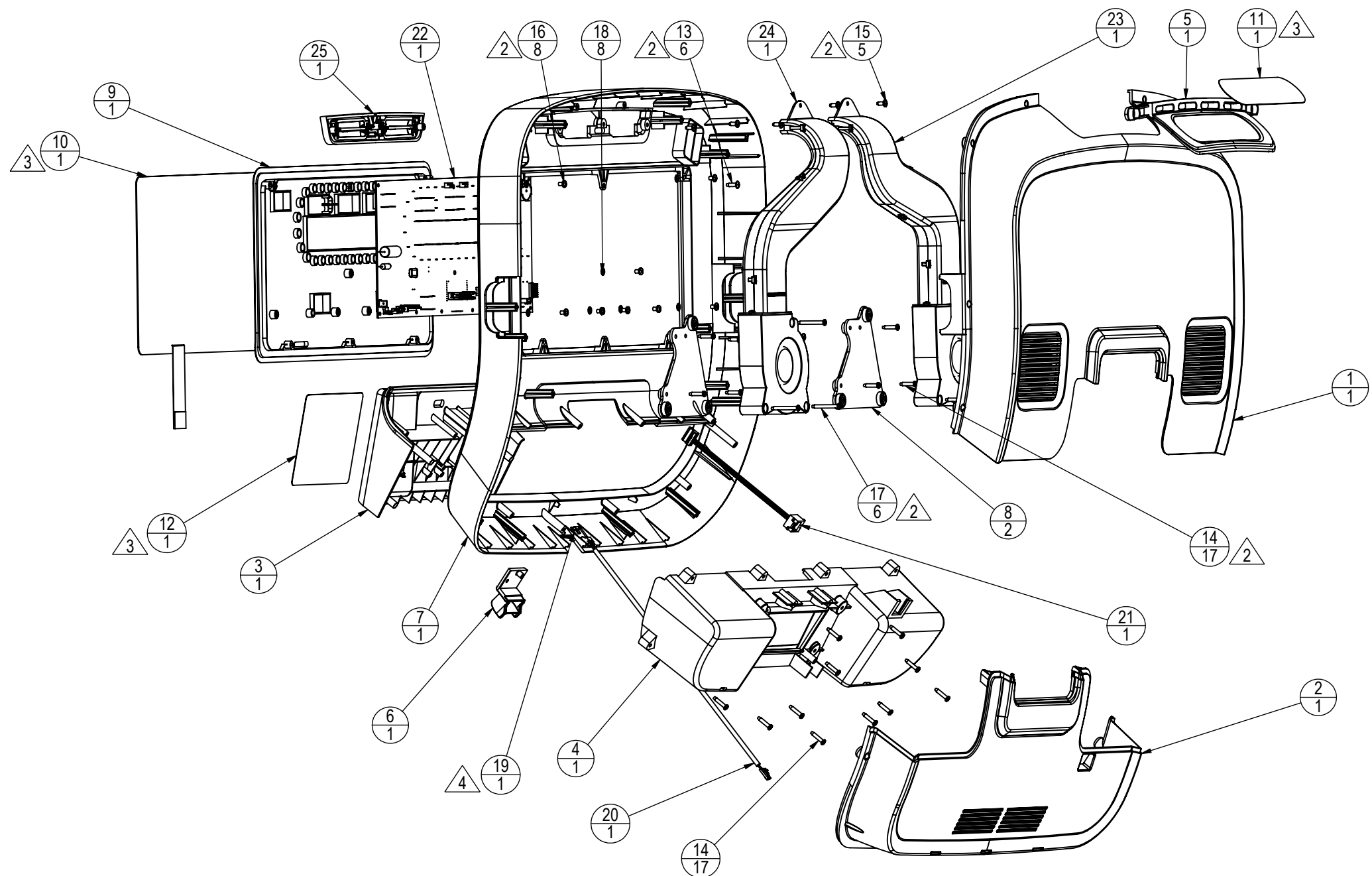
DOCUMENT STATUS:

NOTICE OF PROPRIETARY INFORMATION
 THIS DOCUMENT SHALL NOT BE REPRODUCED NOR SHALL THE INFORMATION CONTAINED HEREIN BE USED BY OR DISCLOSED TO OTHER EXCEPT AS EXPRESSLY AUTHORIZED BY CORE HEALTH & FITNESS, LLC.

MATERIAL SEE BOM	THIRD ANGLE PROJECTION 		CORE HEALTH & FITNESS, LLC 4400 NE 77th Ave., Suite 300 Vancouver, WA 98662	
FINISH N/A	DRAWN SS	DATE 8/16/13	CORE PART NO 740-8547	REV A
VENDOR: N/A	U.O.M. MM	P/N:	TITLE ASSY, DISPLAY W/WELDMENT, SM E-TR	
			SCALE: 1:6	SHEET 1 OF 1
			SHEET SIZE: B	

- NOTES:
 1. ALL SCREWS TO BE TORQUED TO: 8 - 12 in-lbs (0.9 - 1.4 N-m)
 2. USE NON-MARKING, LOW TACK TAPE TO HOLD TOGETHER THE COMPLETE ASSEMBLY
 3. CLEAN AREA WITH ISOPROPYL ALCOHOL PRIOR TO APPLICATION
 4. APPLY PRESSURE FOR AT LEAST 5 SEC. FOR ADHESIVE TO BOND TO PLASTIC SHROUD WHEN HR BOARD (715-3864) IS MOUNTED
 5. COLOR DESIGNATOR PER -XX AS SPECIFIED IN SOP 620-8222, UNLESS OTHERWISE NOTED.

REVISION HISTORY				
REV	DATE	DESCRIPTION	ECO	BY
A	8/19/2013	PRODUCTION RELEASE	14308	SS



ITEM NO.	PART NUMBER	-XX	DESCRIPTION	QTY.
1	020-7069-XX	-35	REAR TOP - TREAD	1
2	020-7070-XX	-35	REAR BOTTOM - TREAD	1
3	020-7072		CENTER CONSOLE, BASIC	1
4	020-7073		CUP HOLDER LINING - TREAD	1
5	020-7074-XX	-35	CAP,TV BLANK,TR	1
6	020-7226-XX	-35	CAP, LANYARD HOME	1
7	020-7371-XX	-40	ASSY, FRONT SHROUD, LED	1
8	020-7372		MOUNTING BRACKET, BLOWER, S-TR	2
9	020-7373-XX	-43	DISPLAY BOARD, MAIN, S-TRc	1
10	050-2216		KEYPAD, MAIN DISPLAY, S-TRc	1
11	050-2263		LOGO, STAIRMASTER, 188.5mm X 45.2mm	1
12	050-2276		LABEL, CENTER CONSOLE, SM	1
13	110-3165		SCREW, M4x0.7x14L,PHT,PH,CS,ZI	6
14	110-3402		SCREW, M4x0.7x19L,PHT,PH,CS,BZ	17
15	110-3404		SCREW, M4x0.7x10L,PHT,PH,CS,BO	5
16	110-3407		SCREW,M4x0.7x6L,PHM,PH,BO	8
17	110-3471		SCREW, M4x0.7x35L, PHT, PH, CS, BZ	6
18	120-3258		WASHER, M4, TEETH, 0.45THK	8
19	715-3864		ASSY, WIRELESS HR, POLAR, 92cm L.R.	1
20	718-5196		ASSY, CABLE, WIRELESS HR	1
21	721-0033		ASSY., CONN., FITLINN/CARDIO	1
22	740-6001		ASSY, DISPLAY BOARD, S-TRc	1
23	740-8135		ASSY, BLOWER, COMPLETE, L, S-TR	1
24	740-8136		ASSY, BLOWER, COMPLETE, R, S-TR	1
25	740-8551		ASSY, AIR VENT, SM E-TR	1

DOCUMENT STATUS:

NOTICE OF PROPRIETARY INFORMATION
 THIS DOCUMENT SHALL NOT BE REPRODUCED NOR SHALL THE INFORMATION CONTAINED HEREIN BE USED BY OR DISCLOSED TO OTHER EXCEPT AS EXPRESSLY AUTHORIZED BY CORE HEALTH & FITNESS, LLC.

MATERIAL SEE BOM	THIRD ANGLE PROJECTION		CORE HEALTH & FITNESS, LLC 4400 NE 77th Ave., Suite 300 Vancouver, WA 98662		
			CORE PART NO	REV	
FINISH N/A	DRAWN	INITIAL	DATE	740-8548	
	CHECKED			TITLE	
	APPROVED			ASSY, DISP & HOUSING, SM E-TR	
VENDOR: N/A	P/N: N/A	U.O.M.	MM	SCALE: 1:6	SHEET 1 OF 1
				SHEET SIZE: B	